

# **COLOR SERVER FIERY XJ PLUS V3.1**

## **PARTS CATALOG**

## **PARTS CATALOG**

### **INTRODUCTION**

This chapter instructs you the numbers and names of parts on this machine.

### **INDEX to PARTS CATALOG**

**FIERY XJ 170/250/325 PLUS V3.1 (A724)**

**for A109/A172/A199**

**COLOR SERVER FIERY XJ PLUS V3.1 (A724)**

## PARTS CATALOG

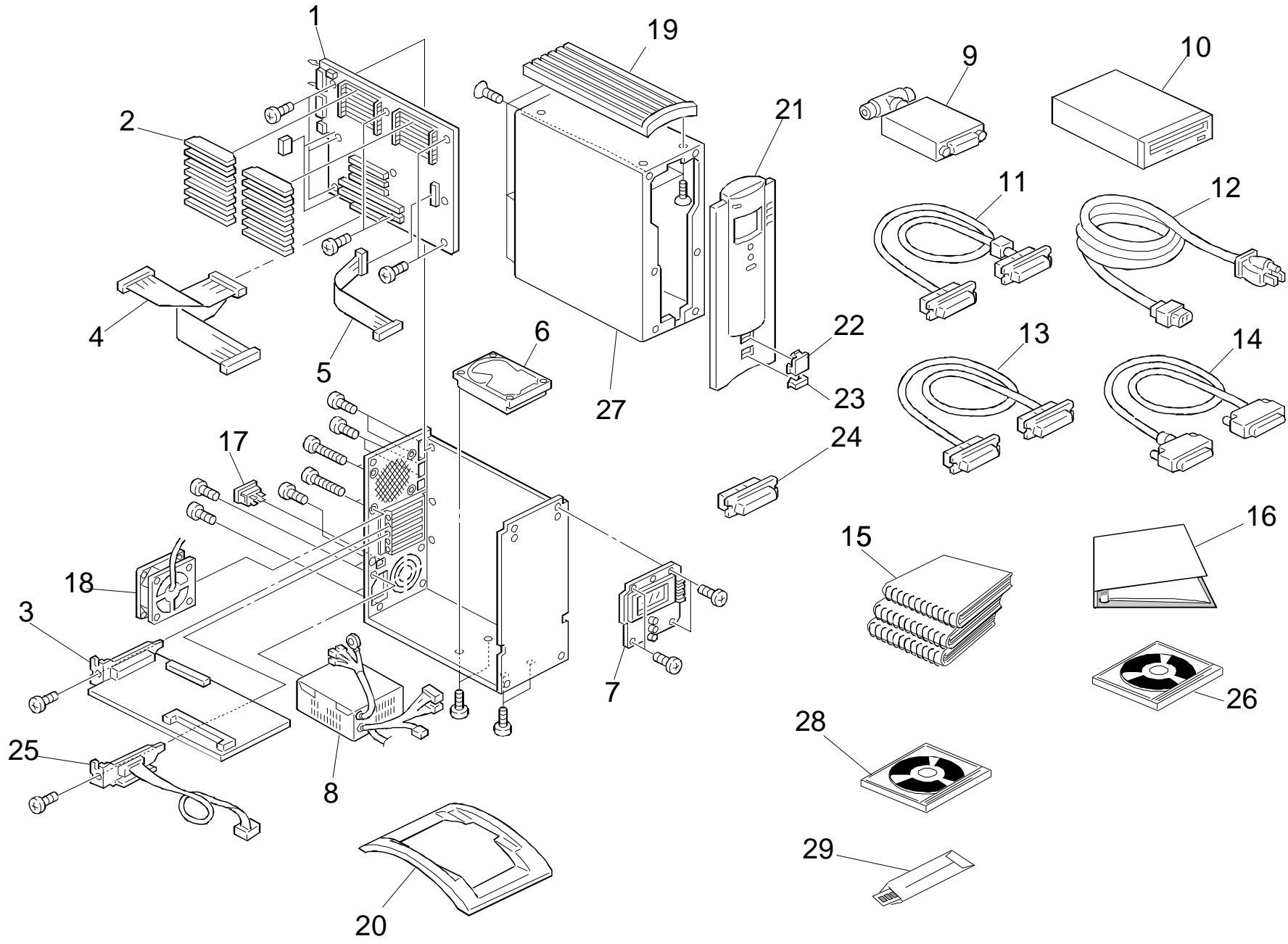
### INTRODUCTION

This chapter instructs you the numbers and names of parts on this machine.

### INDEX to PARTS CATALOG

1. XJ 170/250/325 PLUS (A724-62/63/64/65/66/67) .....	2
2. COMMAND WORKSTATION (A724-74) .....	4
3. TOKEN RING KIT (A724-32) .....	6
4. DUAL COPIER KIT(A724-68) .....	8
XJ PLUS 100 BASE T KIT(A724-69) .....	8
XJ PLUS PLOTTER OPTION KIT(A724-70) .....	8
<b>PARTS INDEX.....</b>	<b>10</b>

# 1. XJ 170/250/325 PLUS

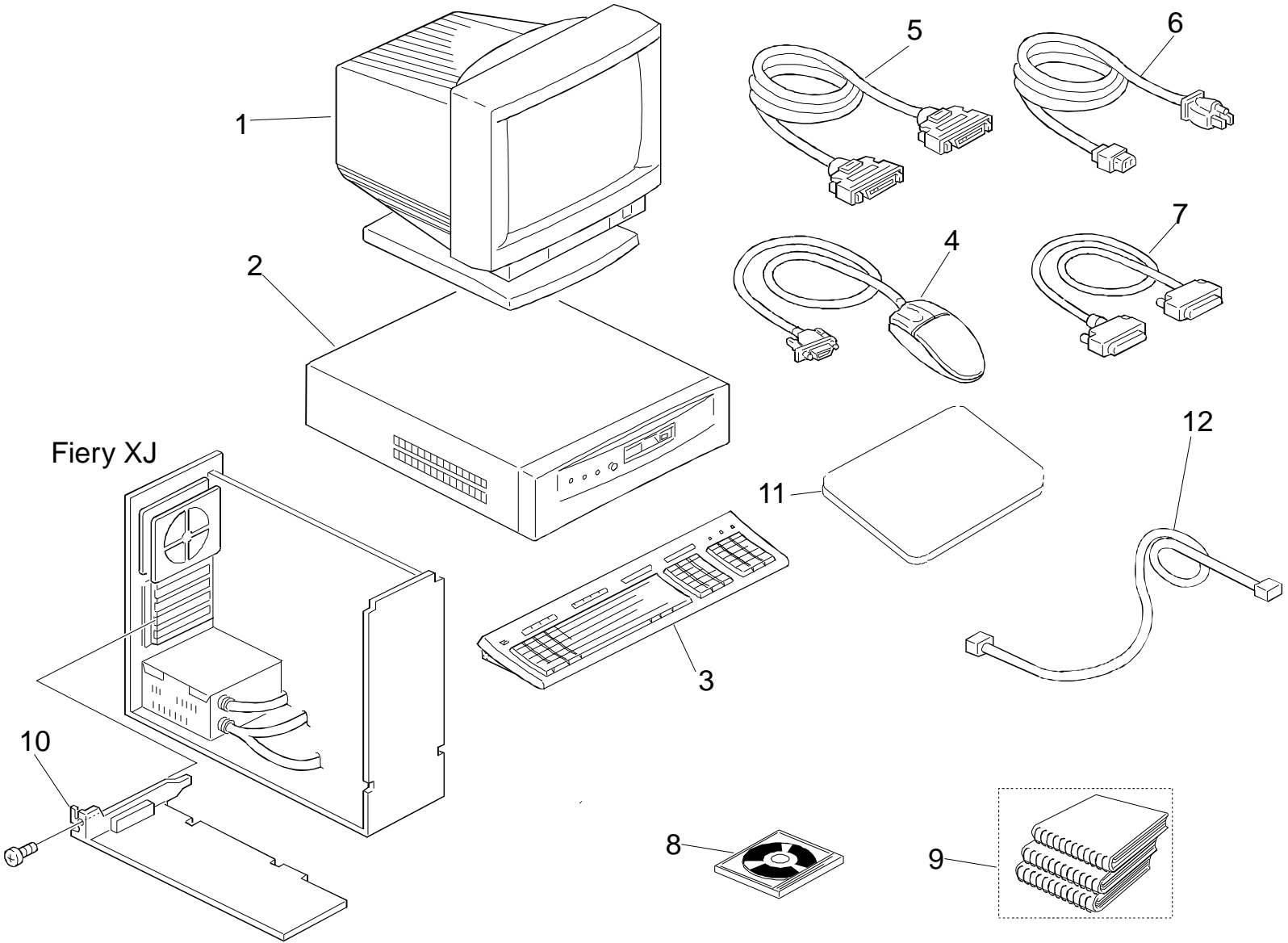


# 1. XJ 170/250/325 PLUS

Index No.	Part No.	Description	Q'ty Per Assembly
# 1	A724 5180	Mother Board W/O SIMMs	☆
# 1	A724 5422	Mother Board W/O SIMMs (R5000)	☆
# 2	A724 5072	4MB SIMM	☆☆
# 2	A724 5071	8MB SIMM	☆☆
# 2	A724 5120	32MB SIMM	☆☆
# 3	A724 5184	XJ - R/R2 Video Board	1
4	A724 5077	SCSI Internal Harness	1
5	A724 5079	User I/F Board Harness	1
# 6	A724 5094	2GB SCSI HDD W/O S/W	1
# 7	A724 5069	User Interface Board	1
# 8	A724 5075	Power Supply Unit	1
9	A724 5112	AUI/BNC Transceiver	1
#10	A724 5160	CD ROM Drive - External	1
11	A583 6008	SCSI Cable	1
12	A583 6009	Power Supply Cord - USA (US model only)	1
12	A583 6010	Power Supply Cord - Int'l (Int'l model only)	1
13	A724 5304	36Pin Centronics Cable	1
#14	A724 5078	Video Interface Harness	1
15	A724 5331	XJ-R/R2 Doc Pack v3.1 - English	1
16	A724 9810	Service Manual - English	1
17	A724 5061	Power Switch	1
18	A724 5076	PAPST Multifan 4312M	1
19	A724 5173	Top Cover	1
20	A724 5064	XJ Stand	1
21	A724 5174	Front Bezel	1
22	A724 5067	Fiery Jewel	1
23	A724 5421	XJ 325 Plus Jewel (XJ325 plus only)	1
23	A724 5420	XJ 250 Plus Jewel (XJ250 plus only)	1
23	A724 5175	XJ 170 Plus Jewel (XJ170 plus only)	1
24	A724 5157	SCSI Terminator	1
25	A724 5182	Local Caribration Cable	1
26	A724 9530	XJ-R/R2 System Software CD v3.1	1
27	A724 5062	XJ Chassis Cover	1
#:Objective part for RMA			

Index No.	Part No.	Description	Q'ty Per Assembly																				
28	A724 5283	XJ-R/R2 User Software CD v3.1	1																				
29	A724 5282	Grayscale Strip	1																				
<div style="text-align: right;">☆ Mother Board Q'ty (Initial Shipment)</div> <table border="1" style="width: 100%; border-collapse: collapse;"> <thead> <tr> <th></th> <th>XJ170</th> <th>XJ250</th> <th>XJ325</th> </tr> </thead> <tbody> <tr> <td>A7245180</td> <td style="text-align: center;">1</td> <td style="text-align: center;">1</td> <td></td> </tr> <tr> <td>A7245422</td> <td></td> <td></td> <td style="text-align: center;">1</td> </tr> </tbody> </table>					XJ170	XJ250	XJ325	A7245180	1	1		A7245422			1								
	XJ170	XJ250	XJ325																				
A7245180	1	1																					
A7245422			1																				
<div style="text-align: right;">☆☆ Memory Q'ty (Initial Shipment)</div> <table border="1" style="width: 100%; border-collapse: collapse;"> <thead> <tr> <th></th> <th>XJ170</th> <th>XJ250</th> <th>XJ325</th> </tr> </thead> <tbody> <tr> <td>A7245072</td> <td style="text-align: center;">4</td> <td style="text-align: center;">4</td> <td style="text-align: center;">4</td> </tr> <tr> <td>A7245071</td> <td style="text-align: center;">4</td> <td style="text-align: center;">8</td> <td></td> </tr> <tr> <td>A7245120</td> <td></td> <td></td> <td style="text-align: center;">4</td> </tr> <tr> <td style="text-align: right;">Total</td> <td style="text-align: center;">48MB</td> <td style="text-align: center;">80MB</td> <td style="text-align: center;">144MB</td> </tr> </tbody> </table>					XJ170	XJ250	XJ325	A7245072	4	4	4	A7245071	4	8		A7245120			4	Total	48MB	80MB	144MB
	XJ170	XJ250	XJ325																				
A7245072	4	4	4																				
A7245071	4	8																					
A7245120			4																				
Total	48MB	80MB	144MB																				

# 2. COMMAND WORKSTATION



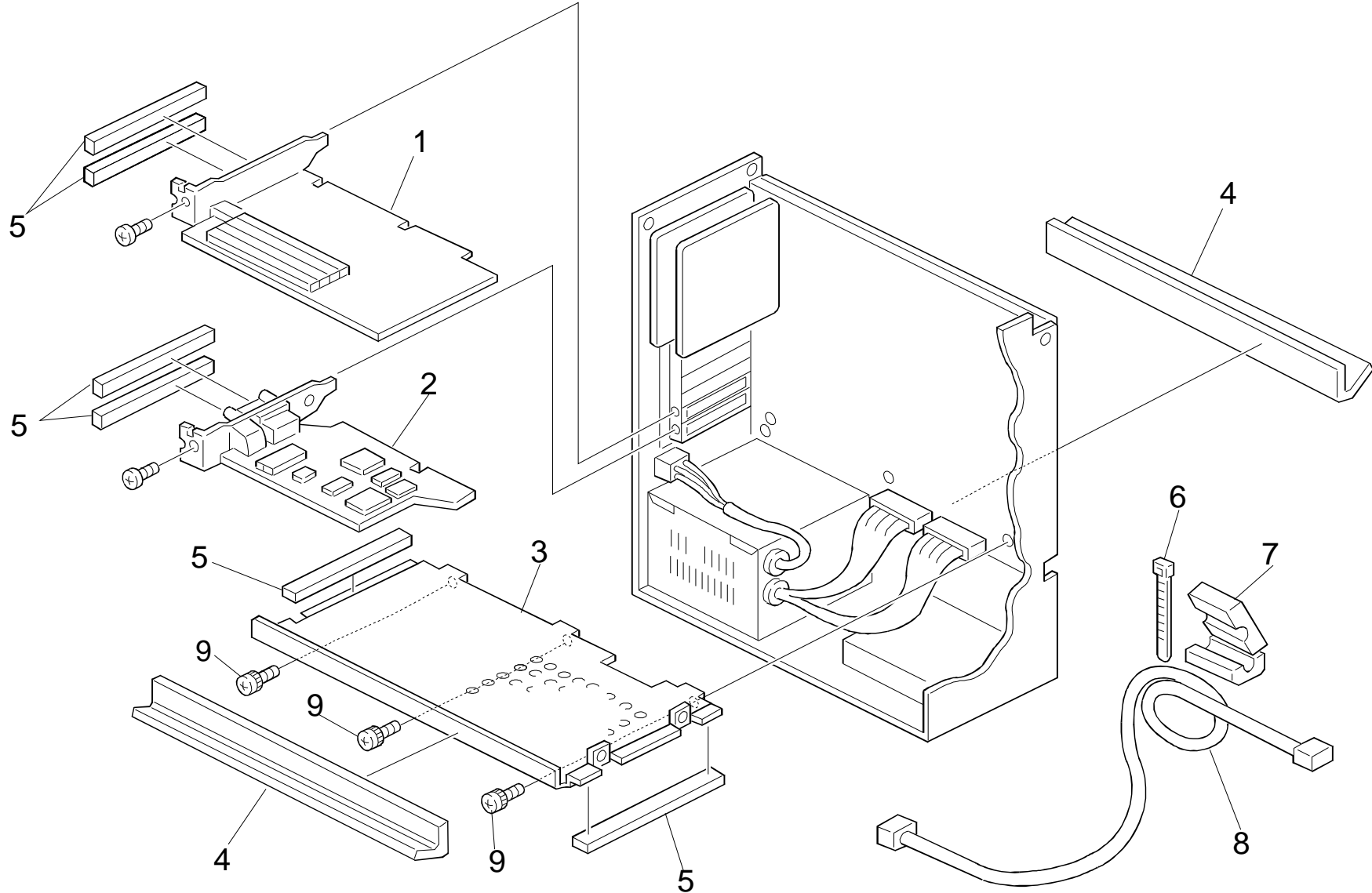
## 2. COMMAND WORKSTATION

Index No.	Part No.	Description	Q'ty Per Assembly
# 1	A724 5327	15" Monitor	1
# 2	A724 5260	Zeos PC	1
# 3	A724 5328	Key Board - Windows	1
# 4	A724 5264	Mouse	1
5	A724 5271	ISA Cable	1
6	A583 6009	Power Supply Cord - USA	1
6	A583 6010	Power Supply Cord - Int'l	2
7	A724 5267	SCSI2 Cable	1
8	A724 5343	Command Workstation System CD v3.1	1
9	A724 5324	Doc Pack Command Workstarion - English	1
#10	A724 5270	ISA XJ Board	1
11	A724 5265	Mouse Pad	1
12	A724 5279	Ethernet Cable, 14' 10BaseT Crossover	1
		#:Objective part for RMA	

Index No.	Part No.	Description	Q'ty Per Assembly



### 3. TOKEN RING KIT

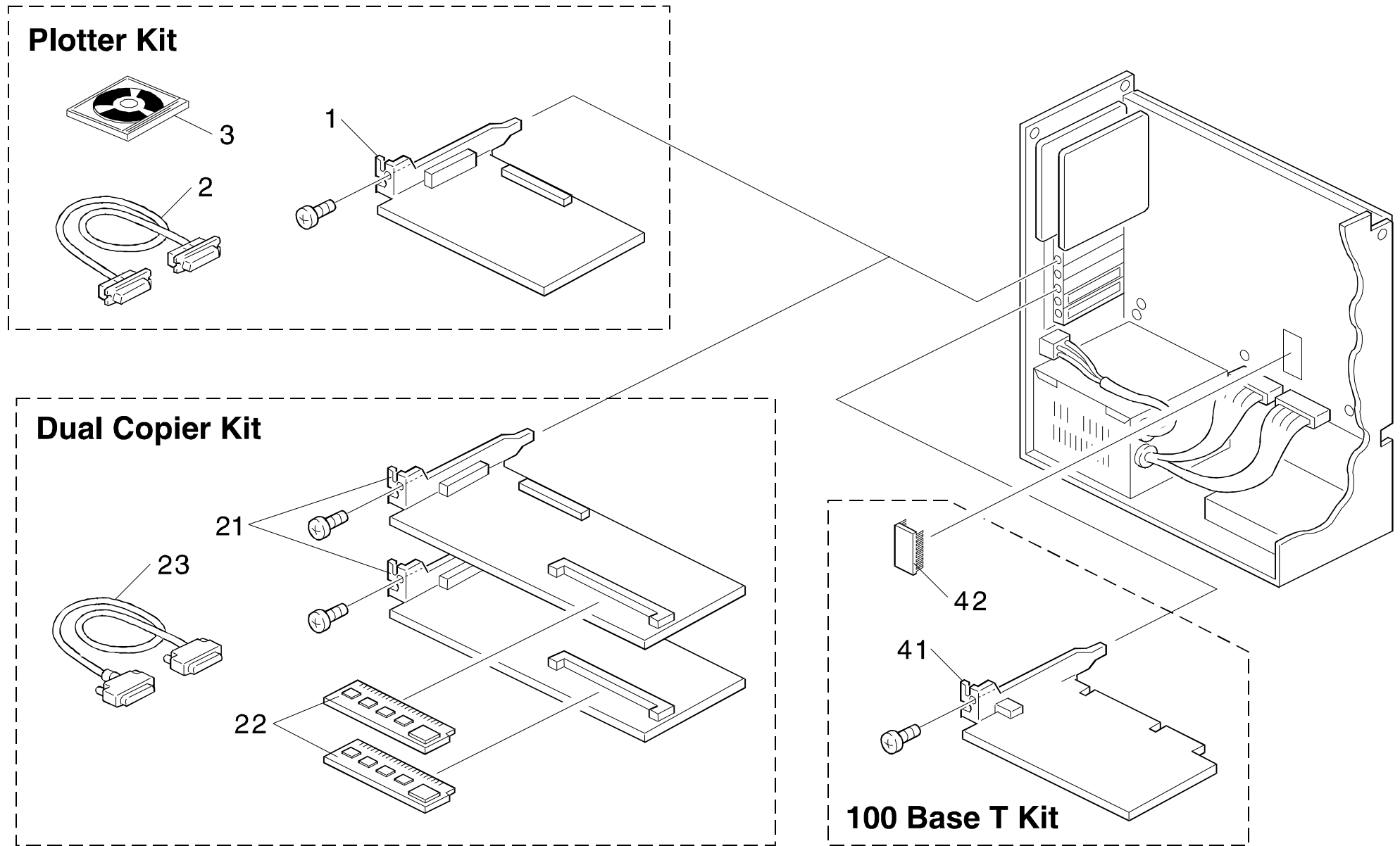


### 3. TOKEN RING KIT

Index No.	Part No.	Description	Q'ty Per Assembly
# 1	A724 5276	Token Ring Enable Board	1
# 2	A724 5277	Token Ring Card	1
3	A724 5295	Isolation Plate	1
4	A724 5298	Gaskets 590x675 (2pcs/set)	2
5	A724 5297	Gaskets 125x250 (2pcs/set)	6
6	A724 5300	Cable Ties (2pcs/set)	1
7	A724 5299	Ferrite Suppression Core (2pcs/set)	1
8	A724 5279	Ethernet Cable, 14' 10BaseT Crossover	1
9	A724 5296	Screws (2pcs/set)	3
#:Objective part for RMA			

Index No.	Part No.	Description	Q'ty Per Assembly

## 4. PLOTTER KIT/DUAL COPIER KIT/100Base T KIT



#### 4. PLOTTER KIT/DUAL COPIER KIT/100Base T Kit

Index No.	Part No.	Description	Q'ty Per Assembly
# 1	A724 5257	Parallel Card	1
2	A724 5341	XJ-R/R2 System CD - Plotter v3.1	1
3	A724 5342	Plotter Interface Cable 5'	1
# 21	A724 5184	XJ-R/R2 Vidio Board	2
# 22	A724 5253	Daughter Card	2
# 23	A724 5078	Video Interface Harness	1
# 41	A724 5335	100Base T Card	1
42	A724 5340	EPR0M	1
		#:Objective part for RMA	

Index No.	Part No.	Description	Q'ty Per Assembly
-----------	----------	-------------	-------------------

# **PARTS INDEX**

Part No.	Description	Page and Index No.
A724 5061	Power Switch	3-17
A724 5062	XJ Chassis Cover	3-27
A724 5064	XJ Stand	3-20
A724 5067	Fiery Jewel	3-22
A724 5069	User Interface Board	3- 7
A724 5071	8MB SIMM	3- 2
A724 5072	4MB SIMM	3- 2
A724 5075	Power Supply Unit	3- 8
A724 5076	PAPST Multifan 4312M	3-18
A724 5077	SCSI Internal Harness	3- 4
A724 5078	Video Interface Harness	3-14
A724 5078	Video Interface Harness	9-23
A724 5079	User I/F Board Harness	3- 5
A724 5094	2GB SCSI HDD W/O S/W	3- 6
A724 5112	AUI/BNC Transceiver	3- 9
A724 5120	32MB SIMM	3- 2
A724 5157	SCSI Terminator	3-24
A724 5160	CD ROM Drive - External	3-10
A724 5173	Top Cover	3-19
A724 5174	Front Bezel	3-21
A724 5175	XJ 170 Plus Jewel (XJ170 plus only)	3-23
A724 5180	Mother Board W/O SIMMs	3- 1
A724 5182	Local Caribration Cable	3-25
A724 5184	XJ - R/R2 Video Board	3-3
A724 5184	XJ-R/R2 Vidio Board	9-21
A724 5253	Daughter Card	9-22
A724 5257	Parallel Card	9- 1
A724 5260	Zeos PC	5- 2
A724 5264	Mouse	5- 4
A724 5265	Mouse Pad	5-11
A724 5267	SCSI2 Cable	5- 7
A724 5270	ISA XJ Board	5-10
A724 5271	ISA Cable	5- 5
A724 5276	Token Ring Enable Board	7- 1
A724 5277	Token Ring Card	7- 2

Part No.	Description	Page and Index No.
A724 5279	"Ethernet Cable, 14' 10BaseT Crossover"	5-12
A724 5279	"Ethernet Cable, 14' 10BaseT Crossover"	7- 8
A724 5282	Grayscale Strip	3-29
A724 5283	XJ-R/R2 User Software CD v3.1	3-28
A724 5295	Isolation Plate	7- 3
A724 5296	Screws (2pcs/set)	7- 9
A724 5297	Gaskets 125x250 (2pcs/set)	7- 5
A724 5298	Gaskets 590x675 (2pcs/set)	7- 4
A724 5299	Ferrite Suppression Core (2pcs/set)	7- 7
A724 5300	Cable Ties (2pcs/set)	7- 6
A724 5304	36Pin Centronics Cable	3-13
A724 5324	Doc Pack Command Workstarion - English	5- 9
A724 5327	"15"" Monitor"	5- 1
A724 5328	Key Board - Windows	5- 3
A724 5331	XJ-R/R2 Doc Pack v3.1 - English	3-15
A724 5335	100Base T Card	9-41
A724 5340	EPROM	9-42
A724 5341	XJ-R/R2 System CD - Plotter v3.1	9- 2
A724 5342	Plotter Interface Cable 5'	9- 3
A724 5343	Command Workstation System CD v3.1	5- 8
A724 5420	XJ 250 Plus Jewel (XJ250 plus only)	3-23
A724 5421	XJ 325 Plus Jewel (XJ325 plus only)	3-23
A724 5422	Mother Board W/O SIMMs (R5000)	3- 1
A724 9530	XJ-R/R2 System Software CD v3.1	3-26
A724 9810	Service Manual - English	3-16
A583 6008	SCSI Cable	3-11
A583 6009	Power Supply Cord - USA (US model only)	3-12
A583 6009	Power Supply Cord - USA	5- 6
A583 6010	Power Supply Cord - Int'l (Int'l model only)	3-12
A583 6010	Power Supply Cord - Int'l	5- 6